

Product Brief: TSoP Smart SFP+ OC-48/STM-16 Transparent SONET/SDH over Packet

Overview

TSoP (Transparent SONET/SDH over Packet) Smart SFP+ converts OC-48/STM-16 TDM traffic to a packet stream.

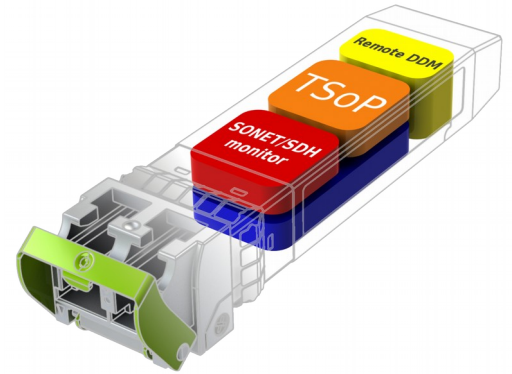
Designed in conformance with the Small Form Factor Pluggable 20-pin Multi-Source Agreement (MSA), TSoP Smart SFP+ can replace an existing SFP+ in a router or a switch and transport SONET or SDH traffic across a packet network.

TSoP Smart SFP+ forwards an OC-48/STM-16 signal fully transparently, while maintaining embedded payload structure, protection protocols and end-to-end synchronization. The product simplifies the configuration and service turn-up of SONET/SDH connections across a packet network.

The integration of the TSoP function into an SFP+ greatly reduces system and network complexity, offers lower carbon footprint, and brings CAPEX and OPEX savings.

These TSoP capabilities have now been extended to support 10 Gigabit Ethernet system interfaces. The TSoP Smart SFP+ offers transport of OC-48/STM-16 signals via 10 GbE with duplex fiber with several optical reaches.

Optionally, an API and SNMP MIBs are available to facilitate the integration in existing equipment and management systems. This management interface allows for configuration and monitoring of relevant parameters.



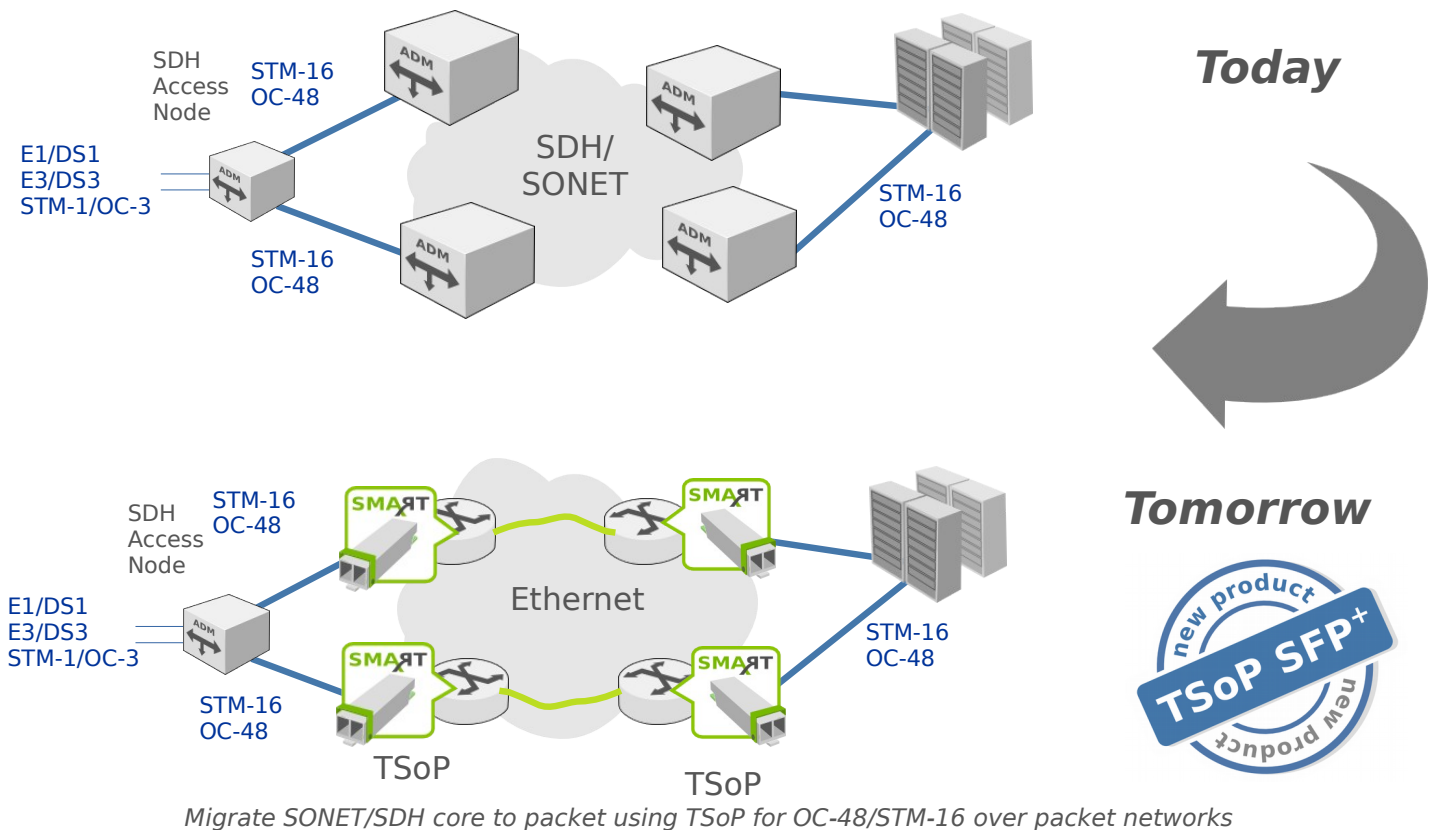
Application Highlights

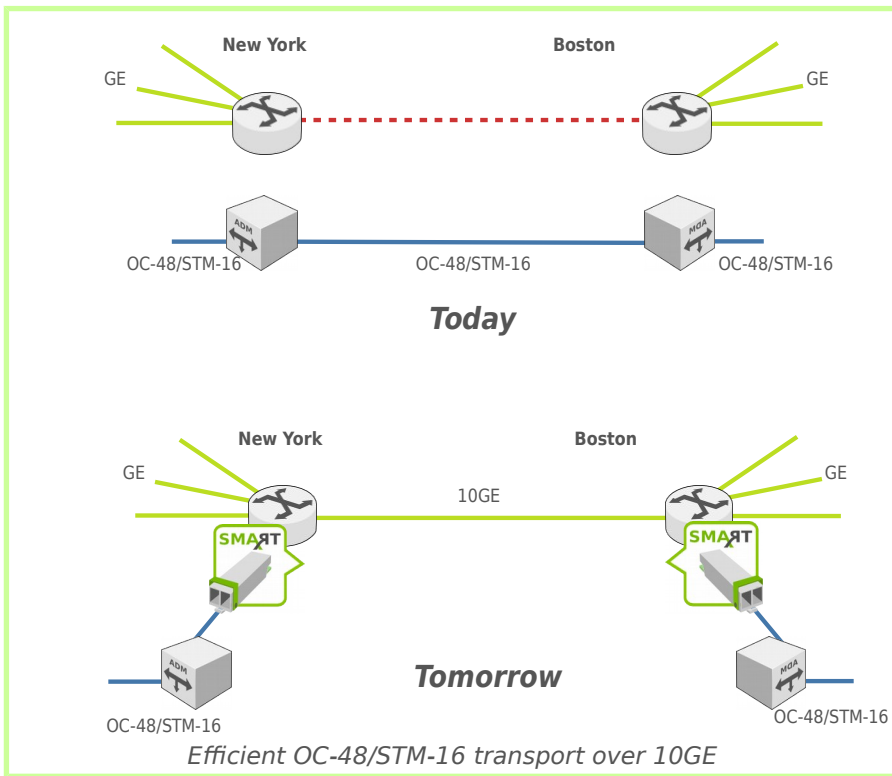
- Efficient use of WDM wavelengths
- Migrate SONET/SDH access to packet

Benefits

- Compact size
- Several optical reaches supported
- Low Carbon footprint
- Total cost reduction

Applications



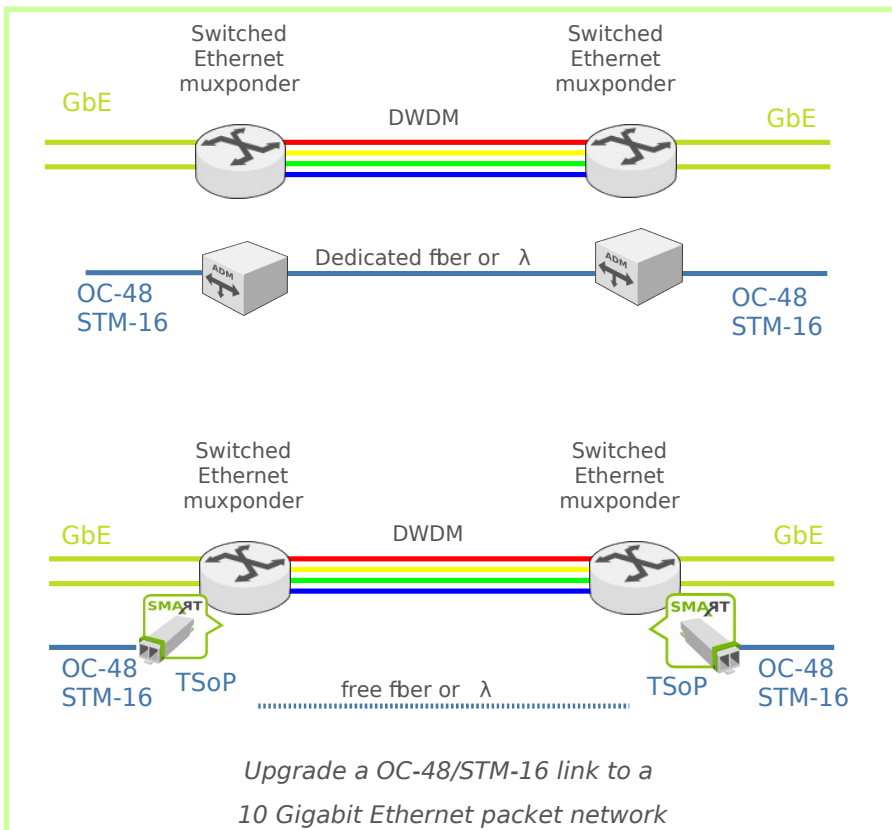


Features

- SFP+ SSF-8431 compliant¹
- DDM SFF-8472 compliant
- Optional software API and MIBs for remote management
- Remote access to Digital Diagnostics Monitoring
- Transparent SONET/SDH over Packet protocol
- Required bandwidth: SONET/SDH rate + 7%
- Fully transparent transport of:
 - Payload structures
 - Overhead bytes and protection protocols
 - Synchronization
- Low latency
- SONET/SDH line rates:
 - OC-48/STM-16

Interfaces

- Compatible with 10GE SFP+ MSA
- LC duplex connector
- Optical transceiver options
 - Duplex fiber
 - Optical reaches, 2 and 15 km
- Available operating temperature ranges:
 - Commercial: 0°C to 70°C



Contact Information

Global: sales@oesolution.com
 Europe: sales@aimvalley.nl
 Website: www.smartsfp.com

¹ Exception: power consumption exceeds MSA limit